



120V 12 Inch Commercial Grade Vintage Barn Hanging Metal Pendant Light - AQ-PENST-1464

DESCRIPTION

Voltage: 120V 60Hz AC
 Socket Type: UL Certified E26 Medium Base (E105933)
 Bulb Type: PAR / BR Reflector / A19
 Power Rating: 60w Max
 Mounting: Surface
 Weight: 4.69 lbs
 Size: 12" Diameter X 9" Height X 70" Cord Length
 Mounting Canopy: 4 3/4"

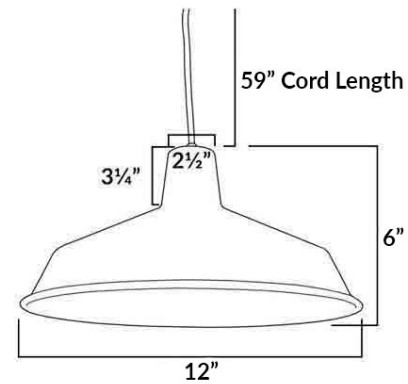


ACCESSORIES

Recessed UL Certified Medium Base Socket



DIMENSIONS



FINISHES



ORDERING INFORMATION

AQ-PENST-1464

FINISH

BLK BLACK
ANB ANTIQUE BRONZE
BLU BLUE
R RED
COP COPPER
WH WHITE

BULB

WWSE 120V 11W DIM LED WARM WHITE SQUAT LIGHT ENGINE
WWED 120V 3.5W VINTAGE EDISON STYLE FILAMENT G25 DIM WARM WHITE
CWA 120V 6W DIM LED COOL WHITE A19

AQ-PENST-1464- _____ - _____

Fixture Type: _____
 Job Name: _____
 Notes: _____

